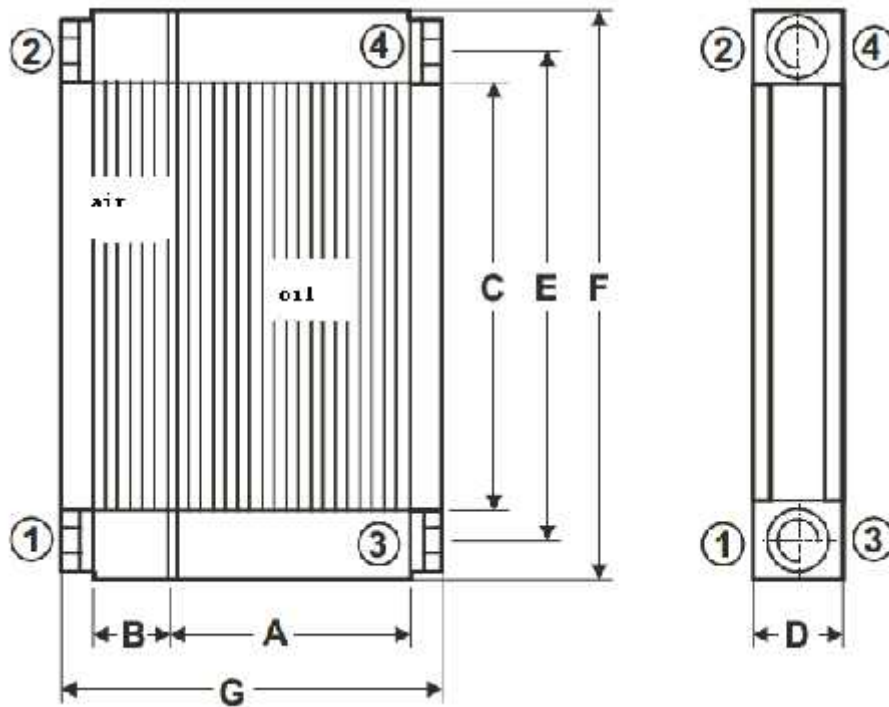
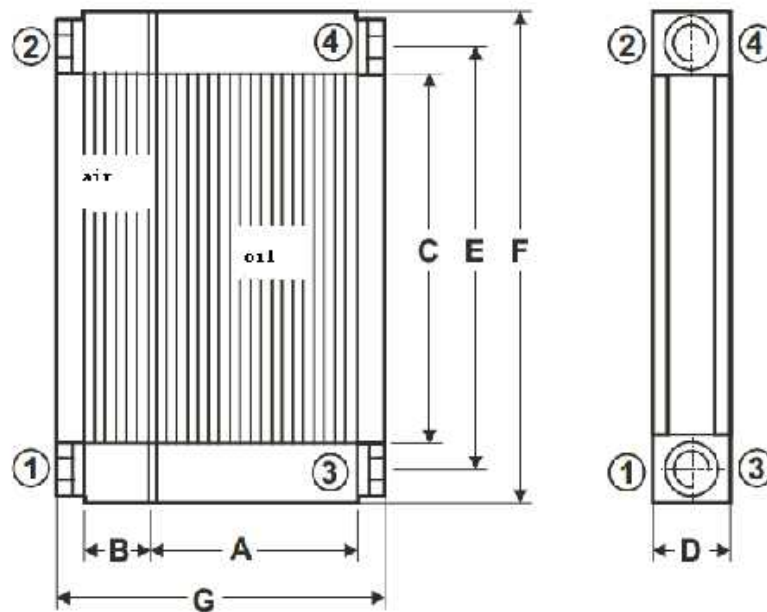


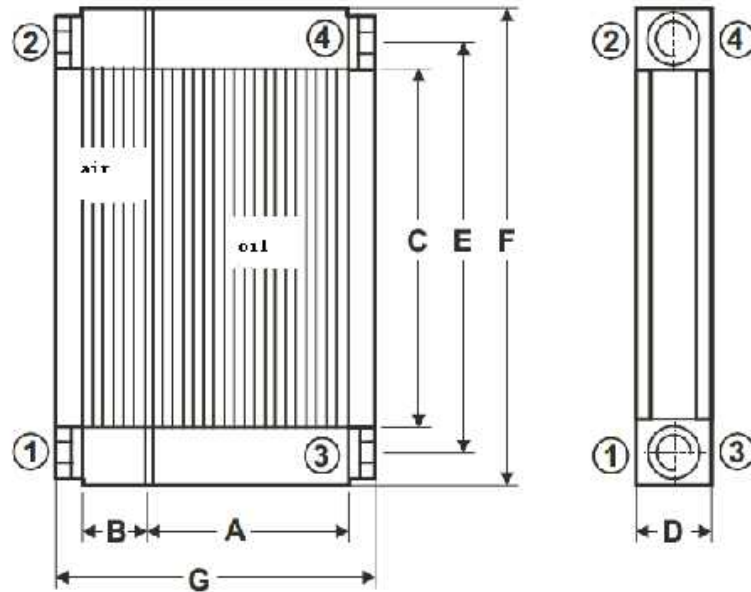
SPECIFICATION		OIL/Air after cooler
Order number		RC114366
Technical data(Standard values)		
Compressor driving power	KW/HP	4/5.5 5.5/7.5 7.5/10
Oil cooling power	KW	3.4/4.7 4.6/6.3 6.3/8.4
Air cooling power	KW	0.6/0.8 0.8/1.1 1.1/1.5
Oil flow	Lit/min	12/15/20
Air flow	Nm ³ /min	0.6/0.8/1.2
Cooling Air flow	Kg/hr	360/480/1320
Approximate cooler dimensions		
A	mm/inch	228/8.98"
B	mm/inch	100/3.93"
C	mm/inch	332/13.07"
D	mm/inch	65/2.56"
E	mm/inch	389/15.31"
F	mm/inch	454/17.87"
G	mm/inch	384/15.12"
Max working pressure	bar(g)/psig	15/218
Test Pressure	bar(g)/psig	20/290
Air cooler connecting slot[G"]1,2	inch	G ½"
Oil cooler connecting slot[G"]3,4	inch	G ½"
Cooler weight approx.	Kg/lb	7.5/16
Fan speed	rpm	2950
Fan diameter	mm/inch	~276/10.87"
Oil inlet temperature	°C/°F	Max 110 / 230
Air inlet temperature	°C/°F	Max 110 / 230



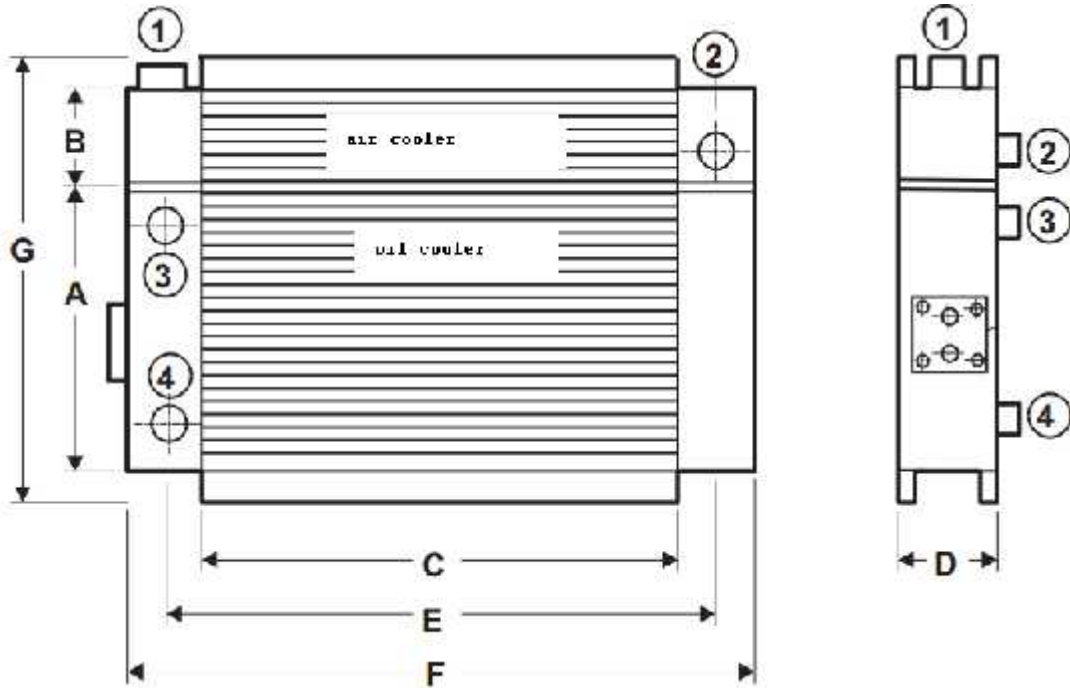
SPECIFICATION		OIL/Air after cooler
Order number		RC114274
Technical data(Standard values)		
Compressor driving power	KW/HP	7.5/10 11/15 15/20
Oil cooling power	KW	6.3/8.4 9.3/12.7 12.7/17
Air cooling power	KW	1.1/1.5 1.6/2.2 2.3/3.0
Oil flow	Lit/min	20/23/28
Air flow	Nm ³ /min	1.2/1.75/2.5
Cooling Air flow	Kg/hr	1320/2160/3000
Approximate cooler dimensions		
A	mm/inch	263/10.35"
B	mm/inch	117/4.45"
C	mm/inch	370/14.57"
D	mm/inch	65/2.56"
E	mm/inch	427/16.81"
F	mm/inch	492/19.37"
G	mm/inch	436/17.17"
Max working pressure	bar(g)/psig	15/218
Test Pressure	bar(g)/psig	20/290
Air cooler connecting slot[G"]1,2	inch	G ½"
Oil cooler connecting slot[G"]3,4	inch	G ½"
Cooler weight approx.	Kg/lb	8.5/18
Fan speed	rpm	~2700
Fan diameter	mm/inch	~ 340/13.4"
Oil inlet temperature	°C/°F	Max 110 / 230
Air inlet temperature	°C/°F	Max 110 / 230



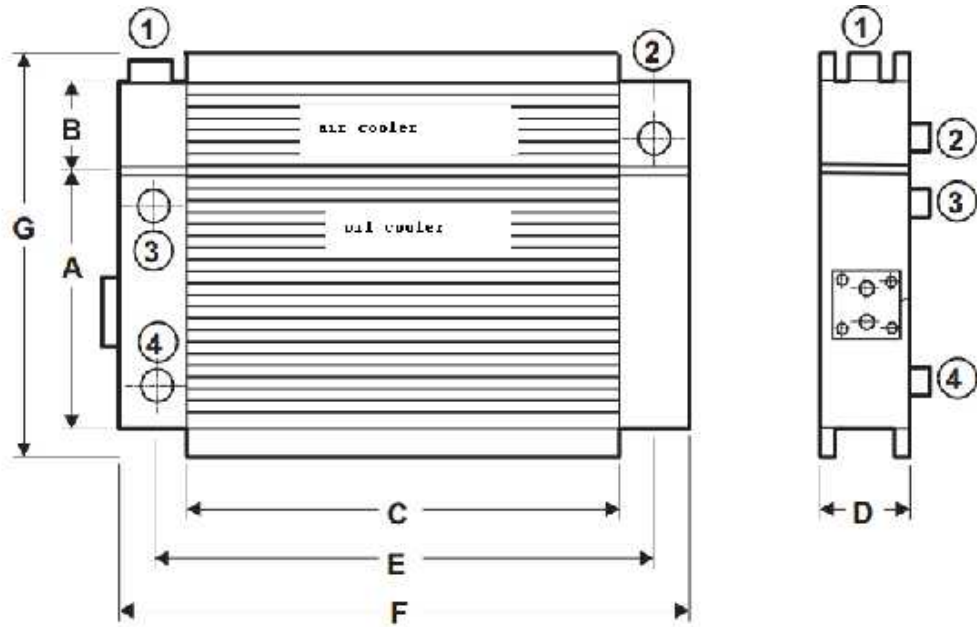
SPECIFICATION		OIL/Air after cooler
Order number		RC114277
Technical data(Standard values)		
Compressor driving power	KW/HP	18.5/25 22/30
Oil cooling power	KW	15.7/21.2 18.7/25.4
Air cooling power	KW	2.7/3.7 3.3/4.4
Oil flow	Lit/min	33/40
Air flow	Nm ³ /min	2.9/3.6
Cooling Air flow	Kg/hr	3300/3960
Approximate cooler dimensions		
A	mm/inch	320/12.60"
B	mm/inch	108/4.25"
C	mm/inch	548/21.58"
D	mm/inch	65/2.56"
E	mm/inch	621/24.45"
F	mm/inch	492/19.37"
G	mm/inch	686/27.01"
Max working pressure	bar(g)/psig	15/218
Test Pressure	bar(g)/psig	20/290
Air cooler connecting slot[G"]1,2	inch	G ¾"
Oil cooler connecting slot[G"]3,4	inch	G ½"
Cooler weight approx.	Kg/lb	13/29
Fan speed	rpm	~2500
Fan diameter	mm/inch	~ 450/15.75"
Oil inlet temperature	°C/°F	Max 110 / 230
Air inlet temperature	°C/°F	Max 110 / 230



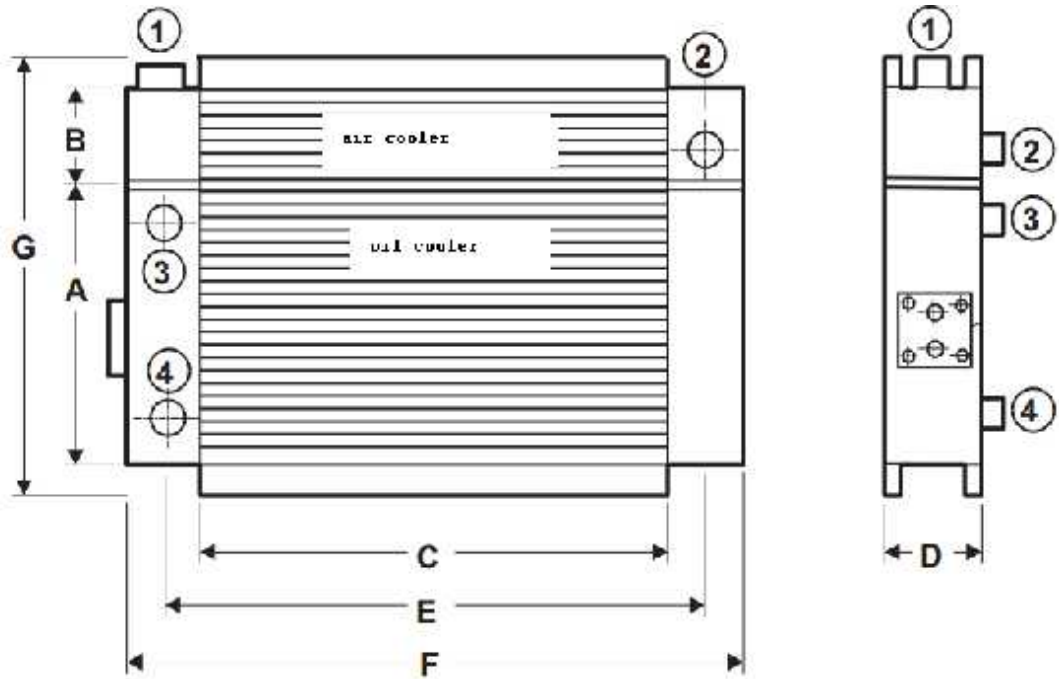
SPECIFICATION		OIL/Air after cooler
Order number		RC115214
Technical data(Standard values)		
Compressor driving power	KW/HP	30/40
Oil cooling power	KW	25.5/34
Air cooling power	KW	4.3/5.8
Oil flow	Lit/min	45
Air flow	Nm ³ /min	4.8
Cooling Air flow	Kg/hr	5460
Approximate cooler dimensions		
A	mm/inch	320/12.60"
B	mm/inch	108/4.25"
C	mm/inch	530/20.87"
D	mm/inch	97/3.82"
E	mm/inch	620/24.41"
F	mm/inch	684/26.93"
G	mm/inch	487/19.17"
Max working pressure	bar(g)/psig	15/218
Test Pressure	bar(g)/psig	20/290
Air cooler connecting slot[G"]1,2	inch	G ¾"
Oil cooler connecting slot[G"]3,4	inch	G ½"
Cooler weight approx.	Kg/lb	20.5/45
Fan speed	rpm	~2500
Fan diameter	mm/inch	~ 450/15.75"
Oil inlet temperature	°C/°F	Max 110 / 230
Air inlet temperature	°C/°F	Max 110 / 230



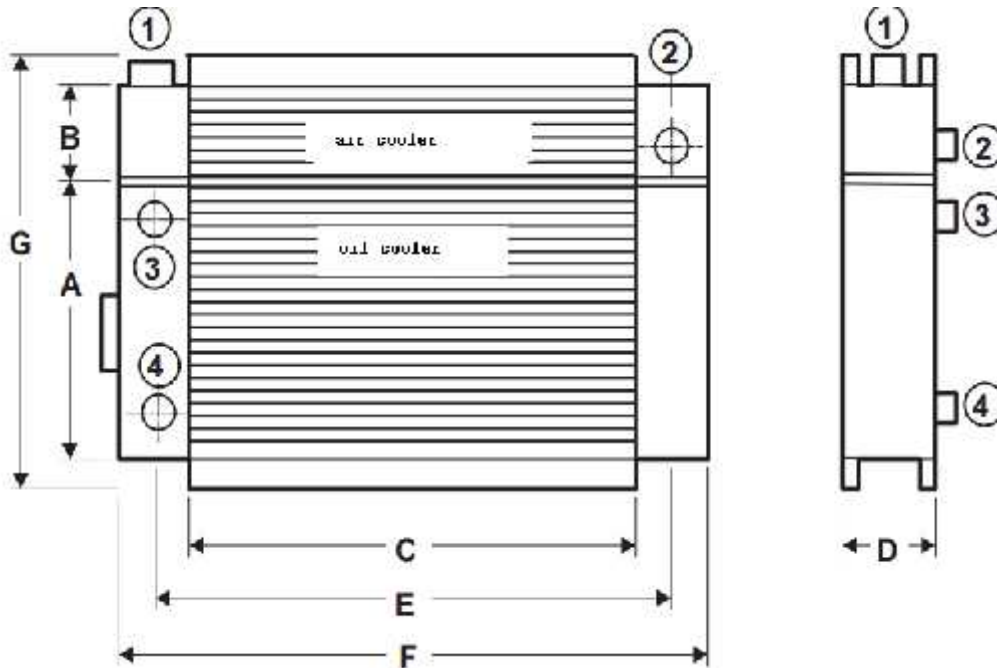
SPECIFICATION		OIL/Air after cooler
Order number		RC114367
Technical data(Standard values)		
Compressor driving power	KW/HP	37/50
Oil cooling power	KW	31/41
Air cooling power	KW	6/8
Oil flow	Lit/min	43
Air flow	Nm ³ /min	5.6
Cooling Air flow	Kg/hr	6720
Approximate cooler dimensions		
A	mm/inch	490/19.29"
B	mm/inch	135/5.31"
C	mm/inch	548/21.57"
D	mm/inch	65/2.56"
E	mm/inch	— —
F	mm/inch	670/26.38"
G	mm/inch	685/26.97"
Max working pressure	bar(g)/psig	15/218
Test Pressure	bar(g)/psig	20/290
Air cooler connecting slot[G"]1,2	inch	G 1½"
Oil cooler connecting slot[G"]3,4	inch	G 1"
Cooler weight approx.	Kg/lb	37/82
Fan speed	rpm	~2200
Fan diameter	mm/inch	~ 470/15.75"
Oil inlet temperature	°C/°F	Max 110 / 230
Air inlet temperature	°C/°F	Max 110 / 230



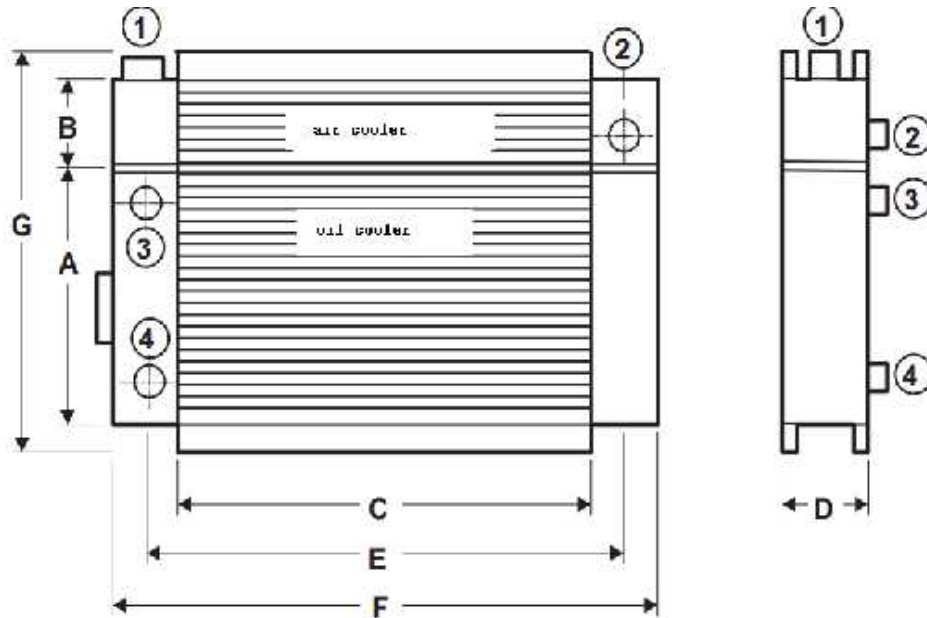
SPECIFICATION		OIL/Air after cooler
Order number		RC114368
Technical data(Standard values)		
Compressor driving power	KW/HP	45/60
Oil cooling power	KW	38/51
Air cooling power	KW	7/9
Oil flow	Lit/min	45
Air flow	Nm ³ /min	6.3
Cooling Air flow	Kg/hr	8100
Approximate cooler dimensions		
A	mm/inch	553/21.77"
B	mm/inch	188/7.40"
C	mm/inch	690/27.17"
D	mm/inch	113/4.45"
E	mm/inch	— —
F	mm/inch	840/33.07"
G	mm/inch	801/31.54"
Max working pressure	bar(g)/psig	15/218
Test Pressure	bar(g)/psig	20/290
Air cooler connecting slot[G"]1,2	inch	G 1½"
Oil cooler connecting slot[G"]3,4	inch	G 1"
Cooler weight approx.	Kg/lb	37/82
Fan speed	rpm	~2200
Fan diameter	mm/inch	~ 470/15.75"
Oil inlet temperature	°C/°F	Max 110 / 230
Air inlet temperature	°C/°F	Max 110 / 230



SPECIFICATION		OIL/Air after cooler
Order number		RC100900
Technical data(Standard values)		
Compressor driving power	KW/HP	55/75
Oil cooling power	KW	47/64
Air cooling power	KW	8/11
Oil flow	Lit/min	60
Air flow	Nm ³ /min	7.1
Cooling Air flow	Kg/hr	9900
Approximate cooler dimensions		
A	mm/inch	553/21.77"
B	mm/inch	188/7.40"
C	mm/inch	690/27.17"
D	mm/inch	113/4.45"
E	mm/inch	—
F	mm/inch	840/33.07"
G	mm/inch	801/31.54"
Max working pressure	bar(g)/psig	15/218
Test Pressure	bar(g)/psig	20/290
Air cooler connecting slot[G"]1,2	inch	G 1½"
Oil cooler connecting slot[G"]3,4	inch	G 1"
Cooler weight approx.	Kg/lb	37/82
Fan speed	rpm	~2200
Fan diameter	mm/inch	~ 470/15.75"
Oil inlet temperature	°C/°F	Max 110 / 230
Air inlet temperature	°C/°F	Max 110 / 230



SPECIFICATION		OIL/Air after cooler
Order number	RC115220	
Technical data(Standard values)		
Compressor driving power	KW/HP	75/100
Oil cooling power	KW	64/87
Air cooling power	KW	11/15
Oil flow	Lit/min	80
Air flow	Nm ³ /min	10
Cooling Air flow	Kg/hr	13200
Approximate cooler dimensions		
A	mm/inch	534/21.02"
B	mm/inch	261/10.28"
C	mm/inch	850/33.46"
D	mm/inch	113/4.45"
E	mm/inch	920/36.22"
F	mm/inch	1035/40.75"
G	mm/inch	870/34.25"
Max working pressure	bar(g)/psig	15/218
Test Pressure	bar(g)/psig	20/290
Air cooler connecting slot[G"]1,2	inch	G 2"
Oil cooler connecting slot[G"]3,4	inch	G 1¼"
Cooler weight approx.	Kg/lb	66/145
Fan speed	rpm	~1450
Fan diameter	mm/inch	~ 550/21.65
Oil inlet temperature	°C/°F	Max 110 / 230
Air inlet temperature	°C/°F	Max 110 / 230



SPECIFICATION		OIL/Air after cooler
Order number		RC112612
Technical data(Standard values)		
Compressor driving power	KW/HP	90/125 110/150
Oil cooling power	KW	76/106 93/128
Air cooling power	KW	14/19 17/22
Oil flow	Lit/min	90/110
Air flow	Nm ³ /min	14/17
Cooling Air flow	Kg/hr	16200/19500
Approximate cooler dimensions		
A	mm/inch	776/30.55"
B	mm/inch	303/11.93"
C	mm/inch	1000/39.37"
D	mm/inch	113/4.45"
E	mm/inch	1070/42.13"
F	mm/inch	1150/45.28"
G	mm/inch	1075/42.32"
Max working pressure	bar(g)/psig	15/218
Test Pressure	bar(g)/psig	20/290
Air cooler connecting slot[G"]1,2	inch	G 2"
Oil cooler connecting slot[G"]3,4	inch	G 1¼"
Cooler weight approx.	Kg/lb	98/216
Fan speed	rpm	~1450
Fan diameter	mm/inch	630/24.80" 700/27.56"
Oil inlet temperature	°C/°F	Max 110 / 230
Air inlet temperature	°C/°F	Max 110 / 230